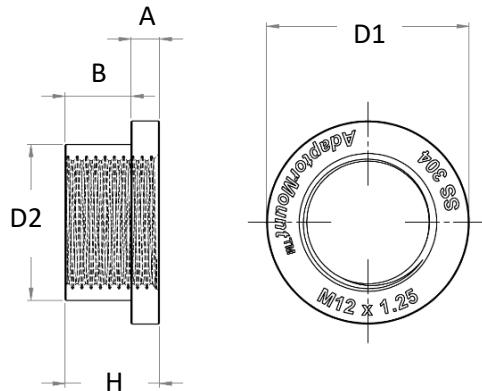


Stepped Weld Bungs

AdaptorMount™ parts are made from top grade materials. AMT-WB weld bungs are no exception. Designed for use in harsh environments where corrosion protection is desired. Professionally CNC machined from Stainless Steel bar stock. Surprisingly high quality of surface finishing makes these parts a true pleasure to work with.

General

Precision machined from Stainless Steel 304. Metric or imperial female threads. Stepped design with broad top head border allows for easy leveling and welding. Wide side walls prevent warping from high temperatures. Each item is laser engraved to eliminate identification issues. Contact plant for custom design, sizing, materials and threads.



Specifications

Thread	NPT 1/8"	NPT 1/4"	NPT 3/8"	NPT 1/2"	NPT 3/4"	NPT 1"	M12 x 1.25	M18 x 1.5
D1	0.825" 21.0mm	0.950" 24.1mm	1.075" 27.3mm	1.200" 30.5mm	1.450" 36.8mm	1.700" 43.2mm	1.075" 27.3mm	1.200" 30.5mm
D2	0.575" 14.6mm	0.700" 17.8mm	0.825" 21.0mm	0.950" 24.1mm	1.200" 30.5mm	1.450" 36.8mm	0.825" 21.0mm	0.950" 24.1mm
H	0.350" 8.9mm	0.500" 12.7mm	0.500" 12.7mm	0.650" 16.5mm	0.650" 16.5mm	0.800" 20.3mm	0.500" 12.7mm	0.650" 16.5mm
A	0.125" 3.2mm	0.150" 3.8mm	0.150" 3.8mm	0.200" 5.1mm	0.200" 5.1mm	0.200" 5.1mm	0.150" 3.8mm	0.200" 5.1mm
B	0.225" 5.7mm	0.350" 8.9mm	0.350" 8.9mm	0.450" 11.4mm	0.450" 11.4mm	0.600" 15.2mm	0.350" 8.9mm	0.450" 11.4mm
Weight	0.4oz 11g	0.7oz 19g	0.8oz 23g	1.1oz 32g	1.6oz 46g	2.3oz 66g	1.1oz 32g	1.4oz 39g

Ordering Code

(order example: AMT-WB-NPT3/8-SS304)

AMT	-	WB	-	-
THREAD			MATERIAL	
Thread Size (e.g. NPT1/2 - See table above) CUSTOM (contact plant)			SS304 (Stainless steel 304, standard option) CUSTOM (contact plant)	



Scan QR Code to get more information about our Products and find our contact information. All information is subject to change without notice. © are Registered Trademarks of their respective owners.™ AdaptorMount is the Trademark of BDS Industrial Solutions Inc. ©2019 BDS Industrial Solutions Inc. All rights reserved. Rev. 06/19